



Wall Systems

## METAL Wallcoustic Horizon 1000 / 1100

(METAL W-H 1000 / W-H 1100)

Grouped



- METAL Wallcoustic Horizon 1000 and METAL Wallcoustic Horizon 1100 are Hook-On wall cladding systems without visible fasteners which enable faster installation.
- Space saving system with a small adjustable offset distance.
- Panels can be oriented upright or reclined.
- METAL Wallcoustic Horizon 1000 with C-Wall profile is installed horizontally, while METAL Wallcoustic Horizon 1100 with U-Wall profile is installed vertically. The size and orientation of the panels will guide the choice of a system over the other.
- Fast to install and dismantle.
- A complete wall solution that meets the acoustic performance of a space.
- Additional design options available as part of our **Vario Design** range.
- Acoustic and architectural design elements for market segments such as office, education or transportation.

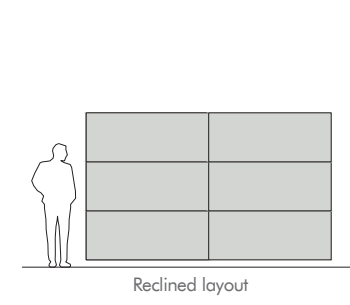
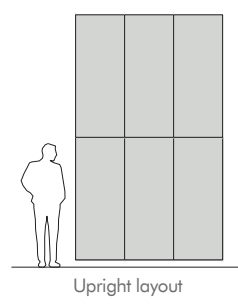
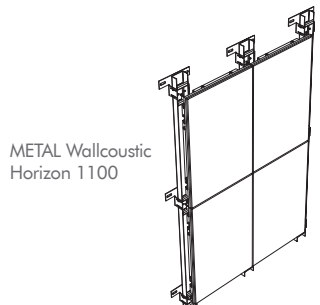
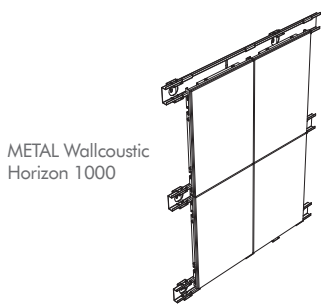




# METAL Wallcoustic Horizon 1000 / 1100

Grouped

|                                    |  |  |   |          |              |           |          |  |  |  |         |       |              |        |     |       |           |          |  |  |  |  |  |  |  |  |          |          |          |          |          |              |  |  |  |  |  |  |     |                |                |       |  |  |  |  |     |                 |                 |  |
|------------------------------------|--|--|---|----------|--------------|-----------|----------|--|--|--|---------|-------|--------------|--------|-----|-------|-----------|----------|--|--|--|--|--|--|--|--|----------|----------|----------|----------|----------|--------------|--|--|--|--|--|--|-----|----------------|----------------|-------|--|--|--|--|-----|-----------------|-----------------|--|
| <b>Edge details</b>                | <b>METAL Wallcoustic Horizon 1000</b>  | <b>METAL Wallcoustic Horizon 1100</b>  |   |          |              |           |          |  |  |  |         |       |              |        |     |       |           |          |  |  |  |  |  |  |  |  |          |          |          |          |          |              |  |  |  |  |  |  |     |                |                |       |  |  |  |  |     |                 |                 |  |
| <b>System</b>                      | C-Wall Profile   | U-Wall Profile   |   |          |              |           |          |  |  |  |         |       |              |        |     |       |           |          |  |  |  |  |  |  |  |  |          |          |          |          |          |              |  |  |  |  |  |  |     |                |                |       |  |  |  |  |     |                 |                 |  |
| <b>Dimensions (mm)</b>             | Panel length: 600 - 3000<br>Panel width: 250 - 1000<br>Max size (m <sup>2</sup> ): 3   | Panel length: 600 - 3000<br>Panel width: 250 - 1000<br>Max size (m <sup>2</sup> ): 3 |   |          |              |           |          |  |  |  |         |       |              |        |     |       |           |          |  |  |  |  |  |  |  |  |          |          |          |          |          |              |  |  |  |  |  |  |     |                |                |       |  |  |  |  |     |                 |                 |  |
| <b>Material &amp; perforations</b> | Post-coated galvanised steel, 1.0mm<br><br><div style="display: flex; justify-content: space-around;"> <div style="text-align: center;"> <p>Unperforated</p> </div> <div style="text-align: center;"> <p>Standard perforation<br/><b>Rg 2516</b></p> <p>∅: 2.5mm<br/>Open area: 16%</p> </div> <div style="text-align: center;"> <p>Micro-perforation<br/><b>Rd 1522</b></p> <p>∅: 1.5mm<br/>Open area: 22%</p> </div> </div> <div style="background-color: #e0f0ff; padding: 5px; margin-top: 5px;"> <b>Other perforations</b> </div> <div style="display: flex; justify-content: space-around; margin-top: 5px;"> <div style="text-align: center;"> <p>Rd 1511</p> </div> <div style="text-align: center;"> <p>Rg 1511</p> </div> <div style="text-align: center;"> <p>Rg 3013</p> </div> </div>   |  |   |          |              |           |          |  |  |  |         |       |              |        |     |       |           |          |  |  |  |  |  |  |  |  |          |          |          |          |          |              |  |  |  |  |  |  |     |                |                |       |  |  |  |  |     |                 |                 |  |
| <b>Colours</b>                     | <div style="display: flex; justify-content: space-between;"> <div style="width: 30%;"> <p>RAL 9010</p> </div> <div style="width: 40%; border: 1px solid #e0f0ff; padding: 5px;"> <b>vd Vario Design colours</b> <table border="0" style="width: 100%; text-align: center;"> <tr> <td></td> <td></td> <td></td> <td></td> <td></td> <td></td> <td></td> <td></td> </tr> <tr> <td>Granite</td> <td>Steel</td> <td>Green Marble</td> <td>Copper</td> <td>Oak</td> <td>Brass</td> <td>Sandstone</td> <td>Concrete</td> </tr> <tr> <td></td> <td></td> <td></td> <td></td> <td></td> <td></td> <td colspan="2"></td> </tr> <tr> <td>RAL 9003</td> <td>RAL 9005</td> <td>RAL 9006</td> <td>RAL 9007</td> <td>RAL 9016</td> <td>Global White</td> <td colspan="2"></td> </tr> </table> </div> <div style="width: 25%; border: 1px solid #e0f0ff; padding: 5px;"> <b>vd Wood effects</b> <table border="0" style="width: 100%; text-align: center;"> <tr> <td></td> <td></td> <td></td> <td></td> </tr> <tr> <td>Ash</td> <td>Natural Bamboo</td> <td>Caramel Bamboo</td> <td>Maple</td> </tr> <tr> <td></td> <td></td> <td></td> <td></td> </tr> <tr> <td>Oak</td> <td>American Cherry</td> <td>American Walnut</td> <td></td> </tr> </table> </div> </div> |  |   |          |              |           |          |  |  |  | Granite | Steel | Green Marble | Copper | Oak | Brass | Sandstone | Concrete |  |  |  |  |  |  |  |  | RAL 9003 | RAL 9005 | RAL 9006 | RAL 9007 | RAL 9016 | Global White |  |  |  |  |  |  | Ash | Natural Bamboo | Caramel Bamboo | Maple |  |  |  |  | Oak | American Cherry | American Walnut |  |
|                                    |  |  |   |          |              |           |          |  |  |  |         |       |              |        |     |       |           |          |  |  |  |  |  |  |  |  |          |          |          |          |          |              |  |  |  |  |  |  |     |                |                |       |  |  |  |  |     |                 |                 |  |
| Granite                            | Steel  | Green Marble   | Copper  | Oak      | Brass        | Sandstone | Concrete |  |  |  |         |       |              |        |     |       |           |          |  |  |  |  |  |  |  |  |          |          |          |          |          |              |  |  |  |  |  |  |     |                |                |       |  |  |  |  |     |                 |                 |  |
|                                    |  |  |   |          |              |           |          |  |  |  |         |       |              |        |     |       |           |          |  |  |  |  |  |  |  |  |          |          |          |          |          |              |  |  |  |  |  |  |     |                |                |       |  |  |  |  |     |                 |                 |  |
| RAL 9003                           | RAL 9005   | RAL 9006   | RAL 9007  | RAL 9016 | Global White |           |          |  |  |  |         |       |              |        |     |       |           |          |  |  |  |  |  |  |  |  |          |          |          |          |          |              |  |  |  |  |  |  |     |                |                |       |  |  |  |  |     |                 |                 |  |
|                                    |  |  |   |          |              |           |          |  |  |  |         |       |              |        |     |       |           |          |  |  |  |  |  |  |  |  |          |          |          |          |          |              |  |  |  |  |  |  |     |                |                |       |  |  |  |  |     |                 |                 |  |
| Ash                                | Natural Bamboo   | Caramel Bamboo   | Maple   |          |              |           |          |  |  |  |         |       |              |        |     |       |           |          |  |  |  |  |  |  |  |  |          |          |          |          |          |              |  |  |  |  |  |  |     |                |                |       |  |  |  |  |     |                 |                 |  |
|                                    |  |  |   |          |              |           |          |  |  |  |         |       |              |        |     |       |           |          |  |  |  |  |  |  |  |  |          |          |          |          |          |              |  |  |  |  |  |  |     |                |                |       |  |  |  |  |     |                 |                 |  |
| Oak                                | American Cherry  | American Walnut  |   |          |              |           |          |  |  |  |         |       |              |        |     |       |           |          |  |  |  |  |  |  |  |  |          |          |          |          |          |              |  |  |  |  |  |  |     |                |                |       |  |  |  |  |     |                 |                 |  |
| <b>Weight</b>                      | <b>Unperforated</b><br>8.6 - 11.3 kg/m <sup>2</sup>  | <b>Rg 2516</b><br>7.3 - 10.0 kg/m <sup>2</sup>                                       | <b>Rd 1522</b><br>6.7 - 9.6 kg/m <sup>2</sup><br><br><i>Weight varies depending on the edge detail and acoustic infill.</i> |          |              |           |          |  |  |  |         |       |              |        |     |       |           |          |  |  |  |  |  |  |  |  |          |          |          |          |          |              |  |  |  |  |  |  |     |                |                |       |  |  |  |  |     |                 |                 |  |
| <b>Light reflectance</b>           | <b>Unperforated</b><br>85%   | <b>Rg 2516</b><br>70%  | <b>Rd 1522</b><br>65%<br><br><i>Values applicable for RAL 9010 solutions only.</i>  |          |              |           |          |  |  |  |         |       |              |        |     |       |           |          |  |  |  |  |  |  |  |  |          |          |          |          |          |              |  |  |  |  |  |  |     |                |                |       |  |  |  |  |     |                 |                 |  |
| <b>Humidity resistance</b>         | <b>90% RH</b>  |  |   |          |              |           |          |  |  |  |         |       |              |        |     |       |           |          |  |  |  |  |  |  |  |  |          |          |          |          |          |              |  |  |  |  |  |  |     |                |                |       |  |  |  |  |     |                 |                 |  |
| <b>Cleanability</b>                | <p>(Unperforated only)</p>   |  |   |          |              |           |          |  |  |  |         |       |              |        |     |       |           |          |  |  |  |  |  |  |  |  |          |          |          |          |          |              |  |  |  |  |  |  |     |                |                |       |  |  |  |  |     |                 |                 |  |
| <b>Sustainability</b>              | <p>≈14%      Silver*</p>   |  | <i>*Value applicable for RAL 9010 solutions only.</i>   |          |              |           |          |  |  |  |         |       |              |        |     |       |           |          |  |  |  |  |  |  |  |  |          |          |          |          |          |              |  |  |  |  |  |  |     |                |                |       |  |  |  |  |     |                 |                 |  |
| <b>Design options</b>              |  |  |   |          |              |           |          |  |  |  |         |       |              |        |     |       |           |          |  |  |  |  |  |  |  |  |          |          |          |          |          |              |  |  |  |  |  |  |     |                |                |       |  |  |  |  |     |                 |                 |  |



[Previous page] METAL Wallcoustic Horizon 1100 (Dubai International Airport, Dubai, UAE, © Beppe Raso)

**vd** Options with this icon are available from our **Vario Design** range. Some combinations of colours and/or perforations are not available for every product. Products may vary from country to country. Please contact your local sales representative. For further information and legal notice, please visit our website. [knaufceilingsolutions.com](http://knaufceilingsolutions.com)